

Question Paper Preview

Notations :

- Options shown in green color and with ✓ icon are correct.
- Options shown in red color and with ✗ icon are incorrect.

Subject Name :	Junior Engineer Elec. Grade II
Duration :	90
Total Marks :	100
Display Marks:	Yes
Share Answer Key With Delivery Engine :	No
Actual Answer Key :	Yes
Calculator :	None
Magnifying Glass Required? :	No
Ruler Required? :	No
Eraser Required? :	No
Scratch Pad Required? :	No
Rough Sketch/Notepad Required? :	No
Protractor Required? :	No
Show Watermark on Console? :	Yes
Highlighter :	No
Auto Save on Console?	No
Change Font Color :	No
Change Background Color :	No
Change Theme :	No
Help Button :	No
Show Reports :	No
Show Progress Bar :	No

Junior Engineer Elec. Grade II

Group Number :	1
Group Id :	753229420
Group Maximum Duration :	0
Group Minimum Duration :	90
Show Attended Group? :	No
Edit Attended Group? :	No
Break time :	0
Group Marks :	100
Is this Group for Examiner? :	No
Examiner permission :	Cant View
Show Progress Bar? :	No

Domain Knowledge

Section Id :	753229514
Section Number :	1
Section type :	Online
Mandatory or Optional :	Mandatory
Number of Questions :	60
Number of Questions to be attempted :	60

Section Marks : 60
Enable Mark as Answered Mark for Review and Clear Response : Yes
Maximum Instruction Time : 0
Sub-Section Number : 1
Sub-Section Id : 753229770
Question Shuffling Allowed : Yes

Question Number : 1 Question Id : 75322910929 Question Type : MCQ Option Shuffling : Yes Is Question Mandatory : No
Calculator : None Response Time : N.A Think Time : N.A Minimum Instruction Time : 0 Option Orientation : Vertical
Correct Marks : 1 Wrong Marks : 0

A capacitor stores 0.25 coulombs at 50 volts. Find the capacitance.

Options :

- ✘ 12.5 mF
- ✘ 1.25 mF
- ✔ 5 mF
- ✘ 0.5 mF

Question Number : 2 Question Id : 75322910930 Question Type : MCQ Option Shuffling : Yes Is Question Mandatory : No
Calculator : None Response Time : N.A Think Time : N.A Minimum Instruction Time : 0 Option Orientation : Vertical
Correct Marks : 1 Wrong Marks : 0

Five resistors, each one having a value of $250\ \Omega$ are connected in parallel. Find the effective resistance of the parallel connection.

Options :

- ✘ $25\ \Omega$
- ✔ $50\ \Omega$
- ✘ $250\ \Omega$
- ✘ $1250\ \Omega$

Question Number : 3 Question Id : 75322910931 Question Type : MCQ Option Shuffling : Yes Is Question Mandatory : No
Calculator : None Response Time : N.A Think Time : N.A Minimum Instruction Time : 0 Option Orientation : Vertical
Correct Marks : 1 Wrong Marks : 0

For a series resonance circuit, state TRUE/FALSE for following statements:

- At resonance, the power factor will be unity.
- At resonance, the impedance of the circuit will be zero.

Options :

- ✘ True, True
- ✔ True, False
- ✘ False, True
- ✘ False, False

Question Number : 4 Question Id : 75322910932 Question Type : MCQ Option Shuffling : Yes Is Question Mandatory : No
Calculator : None Response Time : N.A Think Time : N.A Minimum Instruction Time : 0 Option Orientation : Vertical
Correct Marks : 1 Wrong Marks : 0

For large DC machines, stray load loss may be taken as _____ of the output power.

Options :

- ✔ 1%
- ✘ 3%
- ✘ 5%
- ✘ 10%

Question Number : 5 Question Id : 75322910933 Question Type : MCQ Option Shuffling : Yes Is Question Mandatory : No
Calculator : None Response Time : N.A Think Time : N.A Minimum Instruction Time : 0 Option Orientation : Vertical
Correct Marks : 1 Wrong Marks : 0

A single-phase transformer has 400 turns in primary and 1000 turns in secondary. If the primary winding is connected to a 500 V, 50 Hz

supply, find the secondary voltage.

Options :

- ✘ 200 V
- ✘ 500 V
- ✘ 1000 V
- ✔ 1250 V

Question Number : 6 Question Id : 75322910934 Question Type : MCQ Option Shuffling : Yes Is Question Mandatory : No Calculator : None Response Time : N.A Think Time : N.A Minimum Instruction Time : 0 Option Orientation : Vertical

Correct Marks : 1 Wrong Marks : 0

A stepper motor has a step angle of 3° . Determine the resolution.

Options :

- ✘ 144 steps/ revolution
- ✔ 120 steps/ revolution
- ✘ 114 steps/ revolution
- ✘ 110 steps/ revolution

Question Number : 7 Question Id : 75322910935 Question Type : MCQ Option Shuffling : Yes Is Question Mandatory : No Calculator : None Response Time : N.A Think Time : N.A Minimum Instruction Time : 0 Option Orientation : Vertical

Correct Marks : 1 Wrong Marks : 0

State TRUE/FALSE for the following statements:

1. Capacitor start motors are costlier than split-phase motor.
2. Capacitor start motor requires large capacitor in order to develop higher starting torque.

Options :

- ✔ True, True
- ✘ True, False
- ✘ False, True
- ✘ False, False

Question Number : 8 Question Id : 75322910936 Question Type : MCQ Option Shuffling : Yes Is Question Mandatory : No Calculator : None Response Time : N.A Think Time : N.A Minimum Instruction Time : 0 Option Orientation : Vertical

Correct Marks : 1 Wrong Marks : 0

In alternators, a pole-pitch is always _____ electrical degrees regardless of the number of poles on the machine.

Options :

- ✘ 90
- ✔ 180
- ✘ 120
- ✘ 60

Question Number : 9 Question Id : 75322910937 Question Type : MCQ Option Shuffling : Yes Is Question Mandatory : No Calculator : None Response Time : N.A Think Time : N.A Minimum Instruction Time : 0 Option Orientation : Vertical

Correct Marks : 1 Wrong Marks : 0

Capacitor start induction motor is NOT suitable for _____.

Options :

- ✘ refrigerators
- ✘ air conditioners
- ✘ conveyers
- ✔ dot matrix printers

Question Number : 10 Question Id : 75322910938 Question Type : MCQ Option Shuffling : Yes Is Question Mandatory : No Calculator : None Response Time : N.A Think Time : N.A Minimum Instruction Time : 0 Option Orientation : Vertical

Correct Marks : 1 Wrong Marks : 0

The frequency of the EMF in the stator of a 4-pole induction motor is 50 Hz, and that in the rotor is 1.5 Hz. Find the slip.

Options :

1. ✘ 1.5%
2. ✔ 3%
3. ✘ 4.5%
4. ✘ 5%

Question Number : 11 Question Id : 75322910939 Question Type : MCQ Option Shuffling : Yes Is Question Mandatory : No Calculator : None Response Time : N.A Think Time : N.A Minimum Instruction Time : 0 Option Orientation : Vertical

Correct Marks : 1 Wrong Marks : 0

Which of the following diodes CANNOT be operated in reverse biased condition?

Options :

1. ✔ Schottky diode
2. ✘ Zener diode
3. ✘ Varactor diode
4. ✘ Photo diode

Question Number : 12 Question Id : 75322910940 Question Type : MCQ Option Shuffling : Yes Is Question Mandatory : No Calculator : None Response Time : N.A Think Time : N.A Minimum Instruction Time : 0 Option Orientation : Vertical

Correct Marks : 1 Wrong Marks : 0

Which of the following is a non-library C function?

Options :

1. ✘ fprintf()
2. ✘ printf()
3. ✔ Printf4()
4. ✘ scanf()

Question Number : 13 Question Id : 75322910941 Question Type : MCQ Option Shuffling : Yes Is Question Mandatory : No Calculator : None Response Time : N.A Think Time : N.A Minimum Instruction Time : 0 Option Orientation : Vertical

Correct Marks : 1 Wrong Marks : 0

Number of bytes occupied by 'near' and 'far' pointers are _____ and _____, respectively.

Options :

1. ✔ 2, 4
2. ✘ 4, 8
3. ✘ 8, 4
4. ✘ 4, 2

Question Number : 14 Question Id : 75322910942 Question Type : MCQ Option Shuffling : Yes Is Question Mandatory : No Calculator : None Response Time : N.A Think Time : N.A Minimum Instruction Time : 0 Option Orientation : Vertical

Correct Marks : 1 Wrong Marks : 0

Which of the following is an undesirable characteristic of measuring instrument?

Options :

1. ✘ Reproducibility
2. ✘ Linearity
3. ✘ Accuracy
4. ✔ Drift

Question Number : 15 Question Id : 75322910943 Question Type : MCQ Option Shuffling : Yes Is Question Mandatory : No Calculator : None Response Time : N.A Think Time : N.A Minimum Instruction Time : 0 Option Orientation : Vertical

Correct Marks : 1 Wrong Marks : 0

For using the PMMC instrument for the measurement of DC voltage exceeding _____, a series resistance is connected in the instrument circuit.

Options :

1. ✘ 10 mV
2. ✔ 100 mV
3. ✘ 10 V
4. ✘ 100 V

Question Number : 16 Question Id : 75322910944 Question Type : MCQ Option Shuffling : Yes Is Question Mandatory : No Calculator : None Response Time : N.A Think Time : N.A Minimum Instruction Time : 0 Option Orientation : Vertical Correct Marks : 1 Wrong Marks : 0

Which of the following is NOT a characteristic of an induction type wattmeter?

Options :

1. ✘ Higher power consumption
2. ✘ Uniform scale
3. ✔ High accuracy
4. ✘ Higher weight

Question Number : 17 Question Id : 75322910945 Question Type : MCQ Option Shuffling : Yes Is Question Mandatory : No Calculator : None Response Time : N.A Think Time : N.A Minimum Instruction Time : 0 Option Orientation : Vertical Correct Marks : 1 Wrong Marks : 0

Two wattmeter and three wattmeter methods of power measurement are the most common applications of _____.

Options :

1. ✔ Blondel's theorem
2. ✘ Thevenin's theorem
3. ✘ Norton's theorem
4. ✘ Superposition theorem

Question Number : 18 Question Id : 75322910946 Question Type : MCQ Option Shuffling : Yes Is Question Mandatory : No Calculator : None Response Time : N.A Think Time : N.A Minimum Instruction Time : 0 Option Orientation : Vertical Correct Marks : 1 Wrong Marks : 0

State TRUE/FALSE for the following statements:

1. Owen's bridge needs a variable standard capacitor.
2. Schering bridge can be used for measurement of dielectric loss.

Options :

1. ✘ False, True
2. ✘ False, False
3. ✔ True, True
4. ✘ True, False

Question Number : 19 Question Id : 75322910947 Question Type : MCQ Option Shuffling : Yes Is Question Mandatory : No Calculator : None Response Time : N.A Think Time : N.A Minimum Instruction Time : 0 Option Orientation : Vertical Correct Marks : 1 Wrong Marks : 0

If an object is moving with uniform acceleration, the displacement of the object is _____.

Options :

1. ✘ always constant
2. ✔ proportional to the square of time
3. ✘ proportional to time
4. ✘ proportional to the square-root of time

Question Number : 20 Question Id : 75322910948 Question Type : MCQ Option Shuffling : Yes Is Question Mandatory : No Calculator : None Response Time : N.A Think Time : N.A Minimum Instruction Time : 0 Option Orientation : Vertical Correct Marks : 1 Wrong Marks : 0

A particle is moving in a circular path of radius 100 cm. The displacement after half a circle would be:

Options :

1. ✘ 314 cm

- ✘ 628 cm
- ✔ 200 cm
- ✘ 100 cm

Question Number : 21 Question Id : 75322910949 Question Type : MCQ Option Shuffling : Yes Is Question Mandatory : No Calculator : None Response Time : N.A Think Time : N.A Minimum Instruction Time : 0 Option Orientation : Vertical

Correct Marks : 1 Wrong Marks : 0

Which of the following is NOT a passive transducer?

Options :

- ✘ Thermistor
- ✘ RTD
- ✘ LVDT
- ✔ Thermocouple

Question Number : 22 Question Id : 75322910950 Question Type : MCQ Option Shuffling : Yes Is Question Mandatory : No Calculator : None Response Time : N.A Think Time : N.A Minimum Instruction Time : 0 Option Orientation : Vertical

Correct Marks : 1 Wrong Marks : 0

Which of the following is an active transducer for the measurement of dynamic pressure?

Options :

- ✘ Strain gauge
- ✔ Piezoelectric transducer
- ✘ LVDT
- ✘ Capsule gauge

Question Number : 23 Question Id : 75322910951 Question Type : MCQ Option Shuffling : Yes Is Question Mandatory : No Calculator : None Response Time : N.A Think Time : N.A Minimum Instruction Time : 0 Option Orientation : Vertical

Correct Marks : 1 Wrong Marks : 0

In HVDC transmission lines, at sending end _____ converter is required.

Options :

- ✔ AC to DC
- ✘ DC to AC
- ✘ DC to DC
- ✘ AC to AC

Question Number : 24 Question Id : 75322910952 Question Type : MCQ Option Shuffling : Yes Is Question Mandatory : No Calculator : None Response Time : N.A Think Time : N.A Minimum Instruction Time : 0 Option Orientation : Vertical

Correct Marks : 1 Wrong Marks : 0

Which of the following is NOT a valid disadvantage of ground return line in HVDC?

Options :

- ✔ Reliability is poor as compared to bipolar line.
- ✘ Ground currents cause dangerous step voltage.
- ✘ Ground currents cause dangerous touch voltage.
- ✘ Ground currents cause electrolytic corrosion of buried metallic structures.

Question Number : 25 Question Id : 75322910953 Question Type : MCQ Option Shuffling : Yes Is Question Mandatory : No Calculator : None Response Time : N.A Think Time : N.A Minimum Instruction Time : 0 Option Orientation : Vertical

Correct Marks : 1 Wrong Marks : 0

In a two-input NAND gate, if both inputs are shorted, it will behave like a _____ gate.

Options :

- ✔ NOT
- ✘ AND
- ✘ EX-OR

4. ✘ Buffer

Question Number : 26 Question Id : 75322910954 Question Type : MCQ Option Shuffling : Yes Is Question Mandatory : No Calculator : None Response Time : N.A Think Time : N.A Minimum Instruction Time : 0 Option Orientation : Vertical

Correct Marks : 1 Wrong Marks : 0

Which of the following is used as an input device in PLC?

Options :

1. ✘ Pilot switch
2. ✘ Buzzer
3. ✔ Selector switch
4. ✘ Solenoid

Question Number : 27 Question Id : 75322910955 Question Type : MCQ Option Shuffling : Yes Is Question Mandatory : No Calculator : None Response Time : N.A Think Time : N.A Minimum Instruction Time : 0 Option Orientation : Vertical

Correct Marks : 1 Wrong Marks : 0

A/An _____ is also called Selsyn.

Options :

1. ✔ Synchro
2. ✘ Alternator
3. ✘ DC generator
4. ✘ Stepper motor

Question Number : 28 Question Id : 75322910956 Question Type : MCQ Option Shuffling : Yes Is Question Mandatory : No Calculator : None Response Time : N.A Think Time : N.A Minimum Instruction Time : 0 Option Orientation : Vertical

Correct Marks : 1 Wrong Marks : 0

For a 3-stack stepper motor, in each stack stator and rotor has 12 poles. Rotor poles will be displaced from each other by _____.

Options :

1. ✔ 10°
2. ✘ 20°
3. ✘ 30°
4. ✘ 90°

Question Number : 29 Question Id : 75322910957 Question Type : MCQ Option Shuffling : Yes Is Question Mandatory : No Calculator : None Response Time : N.A Think Time : N.A Minimum Instruction Time : 0 Option Orientation : Vertical

Correct Marks : 1 Wrong Marks : 0

Which of the following is NOT a part of nuclear power plant?

Options :

1. ✘ Moderator
2. ✔ Penstock
3. ✘ Coolant
4. ✘ Control rods

Question Number : 30 Question Id : 75322910958 Question Type : MCQ Option Shuffling : Yes Is Question Mandatory : No Calculator : None Response Time : N.A Think Time : N.A Minimum Instruction Time : 0 Option Orientation : Vertical

Correct Marks : 1 Wrong Marks : 0

Hydropower is the most widely-used renewable power source, accounting for more than _____ of the world's total installed power generation capacity.

Options :

1. ✘ 10%
2. ✔ 18%
3. ✘ 26%
4. ✘ 54%

Question Number : 31 Question Id : 75322910959 Question Type : MCQ Option Shuffling : Yes Is Question Mandatory : No Calculator : None Response Time : N.A Think Time : N.A Minimum Instruction Time : 0 Option Orientation : Vertical

Correct Marks : 1 Wrong Marks : 0

In terms of power generating capacity, _____ is the most powerful source among the following.

Options :

1. ✓ Nuclear
2. ✗ Crude oil
3. ✗ Coal
4. ✗ Natural gas

Question Number : 32 Question Id : 75322910960 Question Type : MCQ Option Shuffling : Yes Is Question Mandatory : No Calculator : None Response Time : N.A Think Time : N.A Minimum Instruction Time : 0 Option Orientation : Vertical

Correct Marks : 1 Wrong Marks : 0

Identify the correct pair of bidirectional devices:

Options :

1. ✗ SCR and SCS
2. ✗ GTO and SCR
3. ✗ IGBT and MCT
4. ✓ DIAC and TRIAC

Question Number : 33 Question Id : 75322910961 Question Type : MCQ Option Shuffling : Yes Is Question Mandatory : No Calculator : None Response Time : N.A Think Time : N.A Minimum Instruction Time : 0 Option Orientation : Vertical

Correct Marks : 1 Wrong Marks : 0

A stepdown chopper has a duty cycle of 60% and is supplied with 200 V DC. Find the average output voltage.

Options :

1. ✗ 60 V
2. ✓ 120 V
3. ✗ 140 V
4. ✗ 180 V

Question Number : 34 Question Id : 75322910962 Question Type : MCQ Option Shuffling : Yes Is Question Mandatory : No Calculator : None Response Time : N.A Think Time : N.A Minimum Instruction Time : 0 Option Orientation : Vertical

Correct Marks : 1 Wrong Marks : 0

Static Kramer drive is an example of _____ scheme of AC drives.

Options :

1. ✗ stator current control
2. ✓ slip power recovery
3. ✗ rotor resistance control
4. ✗ stator frequency control

Question Number : 35 Question Id : 75322910963 Question Type : MCQ Option Shuffling : Yes Is Question Mandatory : No Calculator : None Response Time : N.A Think Time : N.A Minimum Instruction Time : 0 Option Orientation : Vertical

Correct Marks : 1 Wrong Marks : 0

8085 microprocessors have _____ hardware and _____ software interrupts, respectively.

Options :

1. ✗ 4, 5
2. ✗ 4, 8
3. ✓ 5, 8
4. ✗ 8, 5

Question Number : 36 Question Id : 75322910964 Question Type : MCQ Option Shuffling : Yes Is Question Mandatory : No

Calculator : None Response Time : N.A Think Time : N.A Minimum Instruction Time : 0 Option Orientation : Vertical

Correct Marks : 1 Wrong Marks : 0

Simple air circuit breakers which do NOT incorporate any arc-control devices are used for low voltages, below _____.

Options :

- ✘ 100 V
- ✔ 1 kV
- ✘ 10 kV
- ✘ 100 kV

Question Number : 37 Question Id : 75322910965 Question Type : MCQ Option Shuffling : Yes Is Question Mandatory : No

Calculator : None Response Time : N.A Think Time : N.A Minimum Instruction Time : 0 Option Orientation : Vertical

Correct Marks : 1 Wrong Marks : 0

Where voltages are _____ and the current to be interrupted is _____, vacuum breakers have definite advantages over the air or oil circuit breakers.

Options :

- ✘ low, high
- ✘ low, very low
- ✘ high, very high
- ✔ high, low

Question Number : 38 Question Id : 75322910966 Question Type : MCQ Option Shuffling : Yes Is Question Mandatory : No

Calculator : None Response Time : N.A Think Time : N.A Minimum Instruction Time : 0 Option Orientation : Vertical

Correct Marks : 1 Wrong Marks : 0

Which of the following is NOT a valid disadvantage of group drive?

Options :

- ✔ Extremely high initial cost
- ✘ Speed control of individual machine is cumbersome
- ✘ Does not give good appearance
- ✘ High noise level at working site

Question Number : 39 Question Id : 75322910967 Question Type : MCQ Option Shuffling : Yes Is Question Mandatory : No

Calculator : None Response Time : N.A Think Time : N.A Minimum Instruction Time : 0 Option Orientation : Vertical

Correct Marks : 1 Wrong Marks : 0

Which of the following is an example of passive torque?

Options :

- ✘ Elevator
- ✔ Friction
- ✘ Lift
- ✘ Hoist

Question Number : 40 Question Id : 75322910968 Question Type : MCQ Option Shuffling : Yes Is Question Mandatory : No

Calculator : None Response Time : N.A Think Time : N.A Minimum Instruction Time : 0 Option Orientation : Vertical

Correct Marks : 1 Wrong Marks : 0

Which of the following motors CANNOT be used in an electric traction?

Options :

- ✘ DC series motor
- ✘ Three-phase induction motor
- ✘ Repulsion motor
- ✔ Stepper motor

Question Number : 41 Question Id : 75322910969 Question Type : MCQ Option Shuffling : Yes Is Question Mandatory : No

Calculator : None Response Time : N.A Think Time : N.A Minimum Instruction Time : 0 Option Orientation : Vertical

Correct Marks : 1 Wrong Marks : 0

In Plate earthing, the plate is made up of:

Options :

1. ✘ aluminium or steel
2. ✔ copper or galvanised iron
3. ✘ gold or silver
4. ✘ carbon or silicon

Question Number : 42 Question Id : 75322910970 Question Type : MCQ Option Shuffling : Yes Is Question Mandatory : No Calculator : None Response Time : N.A Think Time : N.A Minimum Instruction Time : 0 Option Orientation : Vertical

Correct Marks : 1 Wrong Marks : 0

State TRUE/FLASE for following statements:

1. Charcoal and salt are filled in the pit around the electrode to reduce earth resistance.
2. Rod earthing is the costliest method of earthing.

Options :

1. ✘ False, True
2. ✘ False, False
3. ✘ True, True
4. ✔ True, False

Question Number : 43 Question Id : 75322910971 Question Type : MCQ Option Shuffling : Yes Is Question Mandatory : No Calculator : None Response Time : N.A Think Time : N.A Minimum Instruction Time : 0 Option Orientation : Vertical

Correct Marks : 1 Wrong Marks : 0

Which of the following statements is WRONG for conduit wiring?

Options :

1. ✘ It is a water proof wiring system.
2. ✔ It is the cheapest among all wiring types.
3. ✘ It requires highly skilled labour.
4. ✘ It has a better look and longer life.

Question Number : 44 Question Id : 75322910972 Question Type : MCQ Option Shuffling : Yes Is Question Mandatory : No Calculator : None Response Time : N.A Think Time : N.A Minimum Instruction Time : 0 Option Orientation : Vertical

Correct Marks : 1 Wrong Marks : 0

In flood lighting, narrow beam projectors are used for distance _____.

Options :

1. ✘ below 30 metres
2. ✘ between 30 to 70 metres
3. ✔ above 70 metres
4. ✘ above 500 metres

Question Number : 45 Question Id : 75322910973 Question Type : MCQ Option Shuffling : Yes Is Question Mandatory : No Calculator : None Response Time : N.A Think Time : N.A Minimum Instruction Time : 0 Option Orientation : Vertical

Correct Marks : 1 Wrong Marks : 0

Which of the following classes of voltage transformers are recommended for protection?

Options :

1. ✘ Class 0.1
2. ✘ Class 0.2
3. ✘ Class 0.5
4. ✔ Class 5.0

Question Number : 46 Question Id : 75322910974 Question Type : MCQ Option Shuffling : Yes Is Question Mandatory : No Calculator : None Response Time : N.A Think Time : N.A Minimum Instruction Time : 0 Option Orientation : Vertical

Correct Marks : 1 Wrong Marks : 0

When replacing a transformer, which of the following parameters can be ignored?

Options :

1. Atmospheric temperature
2. Input voltage
3. Frequency of operation
4. Output voltage and current

Question Number : 47 Question Id : 75322910975 Question Type : MCQ Option Shuffling : Yes Is Question Mandatory : No Calculator : None Response Time : N.A Think Time : N.A Minimum Instruction Time : 0 Option Orientation : Vertical Correct Marks : 1 Wrong Marks : 0

Which of the following is NOT a compensation equipment for voltage control in substation?

Options :

1. Shunt capacitors
2. Shunt reactors
3. Static VAR sources
4. Metering panel

Question Number : 48 Question Id : 75322910976 Question Type : MCQ Option Shuffling : Yes Is Question Mandatory : No Calculator : None Response Time : N.A Think Time : N.A Minimum Instruction Time : 0 Option Orientation : Vertical Correct Marks : 1 Wrong Marks : 0

In rotating electrical machines, static balancing is applied for machines having speeds _____.

Options :

1. below 100 rpm
2. below 1000 rpm
3. between 3000 to 10000 rpm
4. above 10000 rpm

Question Number : 49 Question Id : 75322910977 Question Type : MCQ Option Shuffling : Yes Is Question Mandatory : No Calculator : None Response Time : N.A Think Time : N.A Minimum Instruction Time : 0 Option Orientation : Vertical Correct Marks : 1 Wrong Marks : 0

Which of the following is an example of physiological need of a worker?

Options :

1. Self-respect
2. Food
3. Security
4. Growth

Question Number : 50 Question Id : 75322910978 Question Type : MCQ Option Shuffling : Yes Is Question Mandatory : No Calculator : None Response Time : N.A Think Time : N.A Minimum Instruction Time : 0 Option Orientation : Vertical Correct Marks : 1 Wrong Marks : 0

Matrix organisation is nothing but:

Options :

1. a scalar organisation only
2. a project organisation plus a line organisation
3. a project organisation plus a functional organisation
4. a functional organisation plus a line and staff organisation

Question Number : 51 Question Id : 75322910979 Question Type : MCQ Option Shuffling : Yes Is Question Mandatory : No Calculator : None Response Time : N.A Think Time : N.A Minimum Instruction Time : 0 Option Orientation : Vertical Correct Marks : 1 Wrong Marks : 0

_____ are the finished goods lying in stock room and waiting for dispatch.

Options :

1. ✘ Raw inventories
2. ✔ Finished inventories
3. ✘ Indirect inventories
4. ✘ In-process inventories

Question Number : 52 Question Id : 75322910980 Question Type : MCQ Option Shuffling : Yes Is Question Mandatory : No Calculator : None Response Time : N.A Think Time : N.A Minimum Instruction Time : 0 Option Orientation : Vertical Correct Marks : 1 Wrong Marks : 0

Which of the following is NOT a long term source of finance for industrial enterprise?

Options :

1. ✘ Share capital
2. ✘ Debentures
3. ✘ Public deposits
4. ✔ Trade credit

Question Number : 53 Question Id : 75322910981 Question Type : MCQ Option Shuffling : Yes Is Question Mandatory : No Calculator : None Response Time : N.A Think Time : N.A Minimum Instruction Time : 0 Option Orientation : Vertical Correct Marks : 1 Wrong Marks : 0

For a Thevenin's circuit $V_{TH} = 12.5 \text{ V}$ and $R_{TH} = 2 \Omega$. Find the load current through the load of 2Ω connected with this circuit.

Options :

1. ✔ 3.125 A
2. ✘ 6.25 A
3. ✘ 12.5 A
4. ✘ 9.375 A

Question Number : 54 Question Id : 75322910982 Question Type : MCQ Option Shuffling : Yes Is Question Mandatory : No Calculator : None Response Time : N.A Think Time : N.A Minimum Instruction Time : 0 Option Orientation : Vertical Correct Marks : 1 Wrong Marks : 0

In a series RLC circuit, if $X_C > X_L$, then the:

Options :

1. ✘ supply voltage will lead the current
2. ✘ current will be zero
3. ✘ current and voltage will be in phase
4. ✔ current will lead the supply voltage

Question Number : 55 Question Id : 75322910983 Question Type : MCQ Option Shuffling : Yes Is Question Mandatory : No Calculator : None Response Time : N.A Think Time : N.A Minimum Instruction Time : 0 Option Orientation : Vertical Correct Marks : 1 Wrong Marks : 0

Which of the following statements is INCORRECT for a three-phase balanced delta connected system?

Options :

1. ✘ Line currents are 120° apart from each other.

2. ✘ Line currents are $\sqrt{3}$ times the phase currents.
3. ✔ Line voltages are $\sqrt{3}$ times the phase voltages.
4. ✘ Line currents are 30° behind the respective phase currents.

Question Number : 56 Question Id : 75322910984 Question Type : MCQ Option Shuffling : Yes Is Question Mandatory : No Calculator : None Response Time : N.A Think Time : N.A Minimum Instruction Time : 0 Option Orientation : Vertical Correct Marks : 1 Wrong Marks : 0

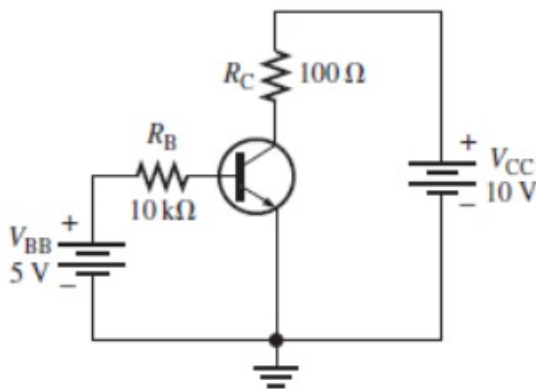
If the three transformers are connected in delta-delta configuration and are supplying rated load and if the connection becomes V-V transformer, the current in each phase winding is:

Options :

1. ✔ increased by $\sqrt{3}$ times
2. ✘ decreased by $\sqrt{3}$ times
3. ✘ increased by 3 times
4. ✘ decreased by 3 times

Question Number : 57 Question Id : 75322910985 Question Type : MCQ Option Shuffling : Yes Is Question Mandatory : No Calculator : None Response Time : N.A Think Time : N.A Minimum Instruction Time : 0 Option Orientation : Vertical Correct Marks : 1 Wrong Marks : 0

For the following circuit, find base current if $V_{BE} = 0.7$ V.



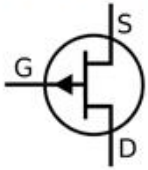
Options :

1. ✘ 0.57 mA
2. ✘ 0.50 mA
3. ✔ 0.43 mA
4. ✘ 0.36 mA

Question Number : 58 Question Id : 75322910986 Question Type : MCQ Option Shuffling : Yes Is Question Mandatory : No

Calculator : None Response Time : N.A Think Time : N.A Minimum Instruction Time : 0 Option Orientation : Vertical
Correct Marks : 1 Wrong Marks : 0

For which device is the following symbol used?

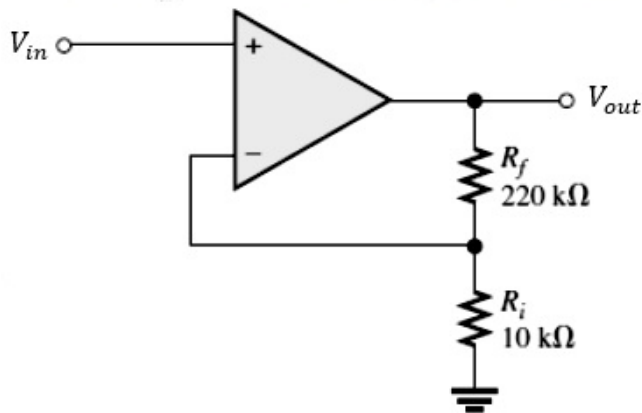


Options :

1. ✘ n-channel MOSFET
2. ✘ n-channel JFET
3. ✘ p-channel MOSFET
4. ✔ p-channel JFET

Question Number : 59 Question Id : 75322910987 Question Type : MCQ Option Shuffling : Yes Is Question Mandatory : No
Calculator : None Response Time : N.A Think Time : N.A Minimum Instruction Time : 0 Option Orientation : Vertical
Correct Marks : 1 Wrong Marks : 0

Find the closed loop gain for the following amplifier:

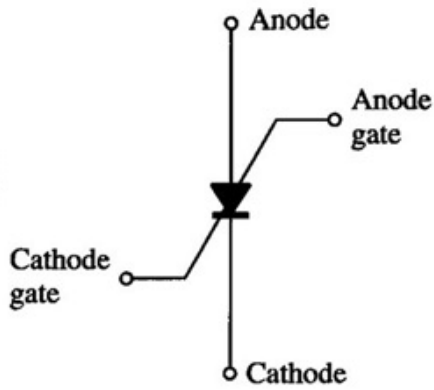


Options :

1. ✘ 21
2. ✘ 22
3. ✔ 23
4. ✘ 24

Question Number : 60 Question Id : 75322910988 Question Type : MCQ Option Shuffling : Yes Is Question Mandatory : No
Calculator : None Response Time : N.A Think Time : N.A Minimum Instruction Time : 0 Option Orientation : Vertical
Correct Marks : 1 Wrong Marks : 0

Following symbol is used for:



Options :

1. ✓ SCS
2. ✗ SCR
3. ✗ DIAC
4. ✗ GTO

General Aptitude

Section Id :	753229515
Section Number :	2
Section type :	Online
Mandatory or Optional :	Mandatory
Number of Questions :	20
Number of Questions to be attempted :	20
Section Marks :	20
Enable Mark as Answered Mark for Review and Clear Response :	Yes
Maximum Instruction Time :	0
Sub-Section Number :	1
Sub-Section Id :	753229771
Question Shuffling Allowed :	Yes

Question Number : 61 Question Id : 75322910989 Question Type : MCQ Option Shuffling : Yes Is Question Mandatory : No
Calculator : None Response Time : N.A Think Time : N.A Minimum Instruction Time : 0 Option Orientation : Vertical
Correct Marks : 1 Wrong Marks : 0

The princely state of _____ was integrated with West Bengal in 1950.

Options :

1. ✗ Wadagam
2. ✗ Mayurbhanj
3. ✗ Tripura
4. ✓ Cooch Behar/Koch Bihar

Question Number : 62 Question Id : 75322910990 Question Type : MCQ Option Shuffling : Yes Is Question Mandatory : No
Calculator : None Response Time : N.A Think Time : N.A Minimum Instruction Time : 0 Option Orientation : Vertical
Correct Marks : 1 Wrong Marks : 0

The Printers' Union was formed in Calcutta in the year _____.

Options :

1. ✗ 1894

2. ✖ 1897
3. ✔ 1905
4. ✖ 1907

Question Number : 63 Question Id : 75322910991 Question Type : MCQ Option Shuffling : Yes Is Question Mandatory : No Calculator : None Response Time : N.A Think Time : N.A Minimum Instruction Time : 0 Option Orientation : Vertical Correct Marks : 1 Wrong Marks : 0

Shantiniketan was previously called _____ after a local dacoit and was owned by the Tagore family.

Options :

1. ✖ Barahanagore
2. ✔ Bhubandanga
3. ✖ Chinsurah
4. ✖ Contai

Question Number : 64 Question Id : 75322910992 Question Type : MCQ Option Shuffling : Yes Is Question Mandatory : No Calculator : None Response Time : N.A Think Time : N.A Minimum Instruction Time : 0 Option Orientation : Vertical Correct Marks : 1 Wrong Marks : 0

Which of the following is a dance form associated with Bengal and some other Eastern parts of the country?

Options :

1. ✔ Gaudiya Nritya
2. ✖ Vilasini Natyam
3. ✖ Jawara Dance
4. ✖ Jhora Dance

Question Number : 65 Question Id : 75322910993 Question Type : MCQ Option Shuffling : Yes Is Question Mandatory : No Calculator : None Response Time : N.A Think Time : N.A Minimum Instruction Time : 0 Option Orientation : Vertical Correct Marks : 1 Wrong Marks : 0

_____ is an auspicious occasion, roughly a week before Durga Puja.

Options :

1. ✖ Poush Parbon
2. ✖ Maha Shivaratri
3. ✔ Mahalaya
4. ✖ Poila Boishakh

Question Number : 66 Question Id : 75322910994 Question Type : MCQ Option Shuffling : Yes Is Question Mandatory : No Calculator : None Response Time : N.A Think Time : N.A Minimum Instruction Time : 0 Option Orientation : Vertical Correct Marks : 1 Wrong Marks : 0

West Bengal has allocated _____ of its total expenditure towards agriculture and allied activities for the financial year 2021-22 as per the State Budget presented on 7 July 2021.

Options :

1. ✖ 3.5%
2. ✖ 7.9%
3. ✔ 5.3%
4. ✖ 9.7%

Question Number : 67 Question Id : 75322910995 Question Type : MCQ Option Shuffling : Yes Is Question Mandatory : No Calculator : None Response Time : N.A Think Time : N.A Minimum Instruction Time : 0 Option Orientation : Vertical Correct Marks : 1 Wrong Marks : 0

_____ is a financial assistance scheme of the Government of West Bengal, that aims to help unemployed youth of the state increase their employment ability and skill.

Options :

1. ✖ Kumarsree
2. ✔ Yuvasree

3. ✘ Tarunsree
4. ✘ Naujawnsree

Question Number : 68 Question Id : 75322910996 Question Type : MCQ Option Shuffling : Yes Is Question Mandatory : No Calculator : None Response Time : N.A Think Time : N.A Minimum Instruction Time : 0 Option Orientation : Vertical Correct Marks : 1 Wrong Marks : 0

Jalpaiguri in West Bengal is often called the 'land of tea, _____ and tourism'.

Options :

1. ✘ tofu
2. ✔ timber
3. ✘ tulips
4. ✘ turnips

Question Number : 69 Question Id : 75322910997 Question Type : MCQ Option Shuffling : Yes Is Question Mandatory : No Calculator : None Response Time : N.A Think Time : N.A Minimum Instruction Time : 0 Option Orientation : Vertical Correct Marks : 1 Wrong Marks : 0

_____ is a free utility app for commuters in the Kolkata Metropolitan Area and other parts of West Bengal.

Options :

1. ✘ Ask Disha
2. ✘ EVA
3. ✔ Pathadisha
4. ✘ SIA

Question Number : 70 Question Id : 75322910998 Question Type : MCQ Option Shuffling : Yes Is Question Mandatory : No Calculator : None Response Time : N.A Think Time : N.A Minimum Instruction Time : 0 Option Orientation : Vertical Correct Marks : 1 Wrong Marks : 0

Who held the post of Chairperson of the West Bengal Public Service Commission as of 31 January 2022?

Options :

1. ✘ Mriganka Mahato
2. ✘ Partha Chowdhury
3. ✘ Amita Saha
4. ✔ Piyali Sengupta

Sub-Section Number :

2

Sub-Section Id :

753229772

Question Shuffling Allowed :

Yes

Question Number : 71 Question Id : 75322910999 Question Type : MCQ Option Shuffling : Yes Is Question Mandatory : No Calculator : None Response Time : N.A Think Time : N.A Minimum Instruction Time : 0 Option Orientation : Vertical Correct Marks : 1 Wrong Marks : 0

Select the letter-cluster from among the given options that can replace the question mark (?) in the following series.

FRN, GTQ, HVT, IXW, ?, KBC

Options :

1. ✔ JZZ
2. ✘ JZA
3. ✘ JYZ
4. ✘ KZB

Question Number : 72 Question Id : 75322911000 Question Type : MCQ Option Shuffling : Yes Is Question Mandatory : No Calculator : None Response Time : N.A Think Time : N.A Minimum Instruction Time : 0 Option Orientation : Vertical

Correct Marks : 1 Wrong Marks : 0

Each of the letters given below has been assigned a unique number. Select the combination of numbers such that the corresponding letters when arranged accordingly will form a meaningful word.

L	N	U	A	E	T	R
1	2	3	4	5	6	7

Options :

- ✘ 2, 5, 3, 7, 6, 4, 1
- ✘ 2, 3, 5, 6, 7, 4, 1
- ✔ 2, 5, 3, 6, 7, 4, 1
- ✘ 2, 5, 3, 6, 7, 1, 4

Question Number : 73 Question Id : 75322911001 Question Type : MCQ Option Shuffling : Yes Is Question Mandatory : No Calculator : None Response Time : N.A Think Time : N.A Minimum Instruction Time : 0 Option Orientation : Vertical

Correct Marks : 1 Wrong Marks : 0

In a certain code language, 'ZENITH' is written as 'EZINHT', and 'FLUTOP' is written as 'LFTUPO'. How will 'CANDLE' be written in that language?

Options :

- ✘ ACNLDE
- ✘ NACELD
- ✘ ELDNAC
- ✔ ACDNEL

Question Number : 74 Question Id : 75322911002 Question Type : MCQ Option Shuffling : Yes Is Question Mandatory : No Calculator : None Response Time : N.A Think Time : N.A Minimum Instruction Time : 0 Option Orientation : Vertical

Correct Marks : 1 Wrong Marks : 0

If my wife's mother is your mother also, how is your father related to me?

Options :

- ✘ Maternal uncle
- ✘ Father
- ✘ Brother-in-law
- ✔ Father-in-law

Question Number : 75 Question Id : 75322911003 Question Type : MCQ Option Shuffling : Yes Is Question Mandatory : No Calculator : None Response Time : N.A Think Time : N.A Minimum Instruction Time : 0 Option Orientation : Vertical

Correct Marks : 1 Wrong Marks : 0

'A & B' means 'A is the mother of B'
'A @ B' means 'A is the brother of B'
'A % B' means 'A is the son of B'

If 'W & K @ C % Z % P', then how is Z related to K?

Options :

1. ✓ Father
2. ✗ Brother
3. ✗ Paternal uncle
4. ✗ Son

Question Number : 76 Question Id : 75322911004 Question Type : MCQ Option Shuffling : Yes Is Question Mandatory : No
Calculator : None Response Time : N.A Think Time : N.A Minimum Instruction Time : 0 Option Orientation : Vertical
Correct Marks : 1 Wrong Marks : 0

Select the option that is related to the third term in the same way as the second term is related to the first term.

MOSTLY : TPNZMU :: PACIFY : ?

Options :

1. ✗ OZBHEX
2. ✓ DBQZGJ
3. ✗ QBDHEZ
4. ✗ CAPZGJ

Question Number : 77 Question Id : 75322911005 Question Type : MCQ Option Shuffling : Yes Is Question Mandatory : No
Calculator : None Response Time : N.A Think Time : N.A Minimum Instruction Time : 0 Option Orientation : Vertical
Correct Marks : 1 Wrong Marks : 0

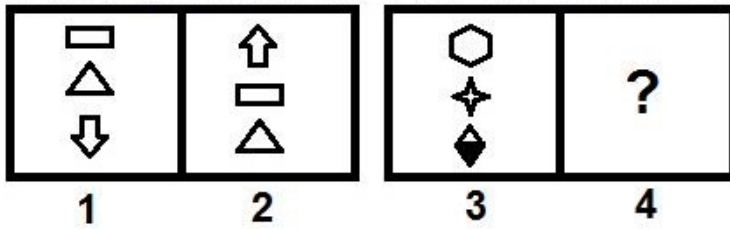
Four letter-clusters have been given, out of which three are alike in some manner and one is different. Select the letter-cluster that is different.

Options :

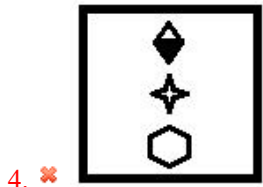
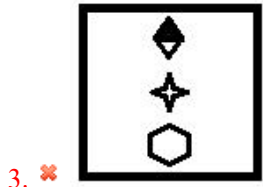
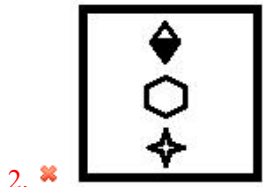
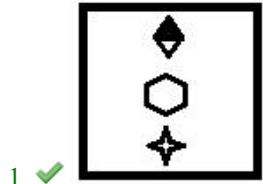
1. ✗ BDFH
2. ✓ KMOR
3. ✗ HJLN
4. ✗ TVXZ

Question Number : 78 Question Id : 75322911006 Question Type : MCQ Option Shuffling : Yes Is Question Mandatory : No
Calculator : None Response Time : N.A Think Time : N.A Minimum Instruction Time : 0 Option Orientation : Vertical
Correct Marks : 1 Wrong Marks : 0

Select the option that is related to the third figure in the same way as the second figure is related to the first figure.



Options :



Question Number : 79 Question Id : 75322911007 Question Type : MCQ Option Shuffling : Yes Is Question Mandatory : No
Calculator : None Response Time : N.A Think Time : N.A Minimum Instruction Time : 0 Option Orientation : Vertical
Correct Marks : 1 Wrong Marks : 0

Select the number from among the given options that can replace the question mark (?) in the following series.

17, 17, 34, 102, 408, ?

Options :

1. ✗ 616

2. ✗ 816

3. ✓ 2040

4. ✗ 2546

Question Number : 80 Question Id : 75322911008 Question Type : MCQ Option Shuffling : Yes Is Question Mandatory : No

Calculator : None Response Time : N.A Think Time : N.A Minimum Instruction Time : 0 Option Orientation : Vertical
Correct Marks : 1 Wrong Marks : 0

Select the option that is related to the third number in the same way as the second number is related to the first number and the sixth number is related to the fifth number.

15 : 225 :: 17 : ? :: 22 : 330

Options :

1. ✘ 205
2. ✔ 255
3. ✘ 285
4. ✘ 295

English Test

Section Id :	753229516
Section Number :	3
Section type :	Online
Mandatory or Optional :	Mandatory
Number of Questions :	15
Number of Questions to be attempted :	15
Section Marks :	15
Enable Mark as Answered Mark for Review and Clear Response :	Yes
Maximum Instruction Time :	0
Sub-Section Number :	1
Sub-Section Id :	753229773
Question Shuffling Allowed :	Yes

Question Number : 81 Question Id : 75322911009 Question Type : MCQ Option Shuffling : Yes Is Question Mandatory : No
Calculator : None Response Time : N.A Think Time : N.A Minimum Instruction Time : 0 Option Orientation : Vertical
Correct Marks : 1 Wrong Marks : 0

Select the most appropriate option to fill in the blank.

He _____ so fast that no one could catch him.

Options :

1. ✘ drive
2. ✔ drove
3. ✘ drives
4. ✘ is driving

Question Number : 82 Question Id : 75322911010 Question Type : MCQ Option Shuffling : Yes Is Question Mandatory : No
Calculator : None Response Time : N.A Think Time : N.A Minimum Instruction Time : 0 Option Orientation : Vertical
Correct Marks : 1 Wrong Marks : 0

Select the most appropriate option to fill in the blank.

I had run _____ of sugar so I could not bake the cake.

Options :

1. ✘ off
2. ✘ down
3. ✔ out

4. ✘ away

Question Number : 83 Question Id : 75322911011 Question Type : MCQ Option Shuffling : Yes Is Question Mandatory : No Calculator : None Response Time : N.A Think Time : N.A Minimum Instruction Time : 0 Option Orientation : Vertical

Correct Marks : 1 Wrong Marks : 0

Select the most appropriate option to fill in the blank.

Our house _____ the East.

Options :

1. ✘ face
2. ✔ faces
3. ✘ has faced
4. ✘ has been facing

Question Number : 84 Question Id : 75322911012 Question Type : MCQ Option Shuffling : Yes Is Question Mandatory : No Calculator : None Response Time : N.A Think Time : N.A Minimum Instruction Time : 0 Option Orientation : Vertical

Correct Marks : 1 Wrong Marks : 0

Select the most appropriate option to fill in the blank.

By the time we arrived they _____ .

Options :

1. ✘ went
2. ✘ have gone
3. ✘ would go
4. ✔ had gone

Question Number : 85 Question Id : 75322911013 Question Type : MCQ Option Shuffling : Yes Is Question Mandatory : No Calculator : None Response Time : N.A Think Time : N.A Minimum Instruction Time : 0 Option Orientation : Vertical

Correct Marks : 1 Wrong Marks : 0

Select the most appropriate article to fill in the blank.

I have found _____ camera which I had lost.

Options :

1. ✔ the
2. ✘ a
3. ✘ an
4. ✘ No article required

Question Number : 86 Question Id : 75322911014 Question Type : MCQ Option Shuffling : Yes Is Question Mandatory : No Calculator : None Response Time : N.A Think Time : N.A Minimum Instruction Time : 0 Option Orientation : Vertical

Correct Marks : 1 Wrong Marks : 0

Select the most appropriate article to fill in the blank.

_____ aunt of mine is very dominating.

Options :

1. ✘ The
2. ✘ A
3. ✔ An
4. ✘ No article required

Question Number : 87 Question Id : 75322911015 Question Type : MCQ Option Shuffling : Yes Is Question Mandatory : No Calculator : None Response Time : N.A Think Time : N.A Minimum Instruction Time : 0 Option Orientation : Vertical

Correct Marks : 1 Wrong Marks : 0

Select the most appropriate phrasal verb to fill in the blank.

We should try to _____ our vices.

Options :

1. ✘ give away
2. ✔ give up
3. ✘ give in
4. ✘ give off

Question Number : 88 Question Id : 75322911016 Question Type : MCQ Option Shuffling : Yes Is Question Mandatory : No Calculator : None Response Time : N.A Think Time : N.A Minimum Instruction Time : 0 Option Orientation : Vertical

Correct Marks : 1 Wrong Marks : 0

Select the most appropriate ANTONYM of the given word.

Adequate

Options :

1. ✘ Talented
2. ✘ Useful
3. ✔ Insufficient
4. ✘ Equal

Question Number : 89 Question Id : 75322911017 Question Type : MCQ Option Shuffling : Yes Is Question Mandatory : No Calculator : None Response Time : N.A Think Time : N.A Minimum Instruction Time : 0 Option Orientation : Vertical

Correct Marks : 1 Wrong Marks : 0

Select the most appropriate synonym of the given word.

Dreadful

Options :

1. ✘ Wholesome
2. ✘ Troublesome
3. ✘ Humorous
4. ✔ Horrible

Question Number : 90 Question Id : 75322911018 Question Type : MCQ Option Shuffling : Yes Is Question Mandatory : No Calculator : None Response Time : N.A Think Time : N.A Minimum Instruction Time : 0 Option Orientation : Vertical

Correct Marks : 1 Wrong Marks : 0

Select the most appropriate phrasal verb to fill in the blank.

I cannot _____ with such behaviour any more.

Options :

1. ✘ put off
2. ✔ put up
3. ✘ put down
4. ✘ put away

Question Number : 91 Question Id : 75322911019 Question Type : MCQ Option Shuffling : Yes Is Question Mandatory : No Calculator : None Response Time : N.A Think Time : N.A Minimum Instruction Time : 0 Option Orientation : Vertical

Correct Marks : 1 Wrong Marks : 0

Select the most appropriate meaning of the given idiom.

In black and white

Options :

1. ✘ In a boring manner
2. ✘ In a secret deal
3. ✔ In written form

4. ✘ In a poetic form

Question Number : 92 Question Id : 75322911020 Question Type : MCQ Option Shuffling : Yes Is Question Mandatory : No Calculator : None Response Time : N.A Think Time : N.A Minimum Instruction Time : 0 Option Orientation : Vertical

Correct Marks : 1 Wrong Marks : 0

Sentences of a paragraph are given below in jumbled order. Arrange the sentences in the correct order to form a meaningful and coherent paragraph.

- A. It was very hot and I was uncomfortable.
- B. I tried to read for a while as I had heard reading can induce sleep.
- C. Usually when I am tired, I fall asleep as soon as I hit the pillow.
- D. Last night however, I could not sleep a wink.

Options :

- 1. ✘ ACBD
- 2. ✘ BADC
- 3. ✔ CDAB
- 4. ✘ ADCB

Question Number : 93 Question Id : 75322911021 Question Type : MCQ Option Shuffling : Yes Is Question Mandatory : No Calculator : None Response Time : N.A Think Time : N.A Minimum Instruction Time : 0 Option Orientation : Vertical

Correct Marks : 1 Wrong Marks : 0

Sentences of a paragraph are given below. While the first sentence (S1) is in the correct order, the sentences below it are jumbled up. Arrange the sentences in the correct order to form a meaningful and coherent paragraph.

- S1. A man was on his way to the next village.
- A. It was not possible for him to go across before nightfall.
- B. As evening fell, he found himself close to a river.
- C. So, he decided to wait till daybreak and then continue his journey.
- D. He found a place under a tree and lay down to sleep.

Options :

- 1. ✘ ABCD
- 2. ✘ DCBA
- 3. ✘ BDCA
- 4. ✔ BACD

Question Number : 94 Question Id : 75322911022 Question Type : MCQ Option Shuffling : Yes Is Question Mandatory : No Calculator : None Response Time : N.A Think Time : N.A Minimum Instruction Time : 0 Option Orientation : Vertical

Correct Marks : 1 Wrong Marks : 0

Select the option that can be used as a one-word substitute for the given group of words.

A fertile spot in a desert where water is found

Options :

- 1. ✔ Oasis
- 2. ✘ Igloo
- 3. ✘ Mirage
- 4. ✘ Caravan

Question Number : 95 Question Id : 75322911023 Question Type : MCQ Option Shuffling : Yes Is Question Mandatory : No Calculator : None Response Time : N.A Think Time : N.A Minimum Instruction Time : 0 Option Orientation : Vertical

Correct Marks : 1 Wrong Marks : 0

Select the option that can be used as a one-word substitute for the given group of words.

A person who obtains secret information

Options :

- 1. ✘ Operator
- 2. ✔ Spy
- 3. ✘ Watchman

Bengali Test

Section Id :	753229517
Section Number :	4
Section type :	Online
Mandatory or Optional :	Optional
Number of Questions :	5
Number of Questions to be attempted :	5
Section Marks :	5
Enable Mark as Answered Mark for Review and Clear Response :	Yes
Maximum Instruction Time :	0
Sub-Section Number :	1
Sub-Section Id :	753229774
Question Shuffling Allowed :	Yes

Question Number : 96 Question Id : 75322911024 Question Type : MCQ Option Shuffling : Yes Is Question Mandatory : No
Calculator : None Response Time : N.A Think Time : N.A Minimum Instruction Time : 0 Option Orientation : Vertical
Correct Marks : 1 Wrong Marks : 0

বিভূতিভূষণ বন্দ্যোপাধ্যায় রচিত উপন্যাস কোন্টি ?

Options :

1. ✖ আনন্দমঠ
2. ✖ শ্রীকান্ত
3. ✖ ঘরে-বাইরে
4. ✔ পথের পাঁচালী

Question Number : 97 Question Id : 75322911025 Question Type : MCQ Option Shuffling : Yes Is Question Mandatory : No
Calculator : None Response Time : N.A Think Time : N.A Minimum Instruction Time : 0 Option Orientation : Vertical
Correct Marks : 1 Wrong Marks : 0

‘বিদ্রোহী’ কবিতাটির রচয়িতা কে ?

Options :

1. ✖ ঈশ্বরচন্দ্র বিদ্যাসাগর
2. ✔ কাজী নজরুল ইসলাম
3. ✖ রবীন্দ্রনাথ ঠাকুর
4. ✖ মদনমোহন তর্কালঙ্কার

Question Number : 98 Question Id : 75322911026 Question Type : MCQ Option Shuffling : Yes Is Question Mandatory : No
Calculator : None Response Time : N.A Think Time : N.A Minimum Instruction Time : 0 Option Orientation : Vertical
Correct Marks : 1 Wrong Marks : 0

सठिक बानान कोनटि?

Options :

1. ✘ पानिनी
2. ✘ पाणीनि
3. ✔ पाणिनि
4. ✘ पानिणि

Question Number : 99 Question Id : 75322911027 Question Type : MCQ Option Shuffling : Yes Is Question Mandatory : No Calculator : None Response Time : N.A Think Time : N.A Minimum Instruction Time : 0 Option Orientation : Vertical

Correct Marks : 1 Wrong Marks : 0

एकटि तरल ध्वनिर उदाहरण हल

Options :

1. ✘ प्
2. ✔ ल्
3. ✘ त्
4. ✘ कोनटिइ नय

Question Number : 100 Question Id : 75322911028 Question Type : MCQ Option Shuffling : Yes Is Question Mandatory : No Calculator : None Response Time : N.A Think Time : N.A Minimum Instruction Time : 0 Option Orientation : Vertical

Correct Marks : 1 Wrong Marks : 0

अनुसर्गगुलि आसले की धरनेर पद ?

Options :

1. ✔ अव्यय
2. ✘ विशेषण
3. ✘ क्रिया
4. ✘ सर्वनाम

Nepali Test

Section Id :	753229518
Section Number :	5
Section type :	Online
Mandatory or Optional :	Optional
Number of Questions :	5

Number of Questions to be attempted : 5
Section Marks : 5
Enable Mark as Answered Mark for Review and Clear Response : Yes
Maximum Instruction Time : 0
Sub-Section Number : 1
Sub-Section Id : 753229775
Question Shuffling Allowed : Yes

Question Number : 101 Question Id : 75322911029 Question Type : MCQ Option Shuffling : Yes Is Question Mandatory : No
Calculator : None Response Time : N.A Think Time : N.A Minimum Instruction Time : 0 Option Orientation : Vertical

Correct Marks : 1 Wrong Marks : 0

परालको आगो कसको के हो

Options :

1. ✘ गुरुप्रसाद मैनालीको नाटक हो
2. ✔ गुरुप्रसाद मैनालीको कथा हो
3. ✘ गुरुप्रसाद मैनालीको उपन्यास हो
4. ✘ गुरुप्रसाद मैनालीको निबन्ध हो

Question Number : 102 Question Id : 75322911030 Question Type : MCQ Option Shuffling : Yes Is Question Mandatory : No
Calculator : None Response Time : N.A Think Time : N.A Minimum Instruction Time : 0 Option Orientation : Vertical

Correct Marks : 1 Wrong Marks : 0

महाभारतमा कति पर्व छन्?

Options :

1. ✘ आठ पर्व
2. ✘ बारह पर्व
3. ✔ अठार पर्व
4. ✘ दस पर्व

Question Number : 103 Question Id : 75322911031 Question Type : MCQ Option Shuffling : Yes Is Question Mandatory : No
Calculator : None Response Time : N.A Think Time : N.A Minimum Instruction Time : 0 Option Orientation : Vertical

Correct Marks : 1 Wrong Marks : 0

रामायण के मा आधारित छ?

Options :

1. ✘ यथार्थवादमा
2. ✘ शास्त्रीयवादमा

3. ✘ स्वच्छन्दवादमा

4. ✔ धार्मिक पौराणिकमा

Question Number : 104 Question Id : 75322911032 Question Type : MCQ Option Shuffling : Yes Is Question Mandatory : No
Calculator : None Response Time : N.A Think Time : N.A Minimum Instruction Time : 0 Option Orientation : Vertical

Correct Marks : 1 Wrong Marks : 0

साँचो डग्दैन झुटो तग्दैन के हो?

Options :

1. ✘ तुक्का

2. ✔ उखान

3. ✘ गाउँखाने कथा

4. ✘ माथिका कुनै पनि होइनन्

Question Number : 105 Question Id : 75322911033 Question Type : MCQ Option Shuffling : Yes Is Question Mandatory : No
Calculator : None Response Time : N.A Think Time : N.A Minimum Instruction Time : 0 Option Orientation : Vertical

Correct Marks : 1 Wrong Marks : 0

सिपाही कसको कथा हो?

Options :

1. ✘ बालकृष्ण समको

2. ✘ गुरुप्रसाद मैनालीको

3. ✘ शिवकुमार राईको

4. ✔ विश्वेश्वरप्रसाद कोइरालाको